



EAU Series Electric Actuators



Overview

Moderately-priced uni-directional quarter-turn actuator for Hayward ball valve applications only. In addition to providing ample torque for 1/2" – 2" valve operation, this all plastic actuator offers a molded-in mounting bracket as well as several basic features.

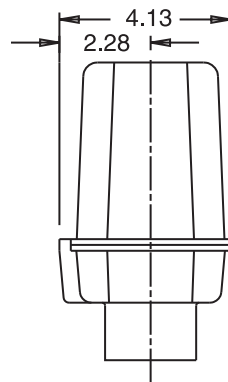
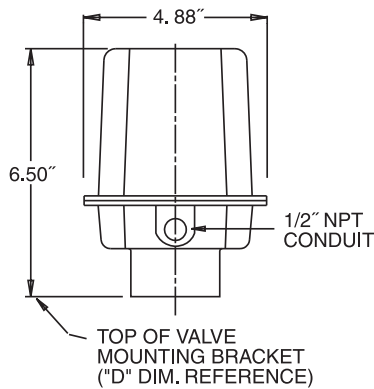
Features

- Plastic Weather Resistant Enclosure
- 90° (EAU29) or 180° (EAU28) Operation
- UL/CSA Listed Motor
- Permanently Lubricated
- Brake Standard
- On/Off Applications
- Nema 4/4X Housing
- 115 VAC Operation
- Auxiliary Limit Switch Standard

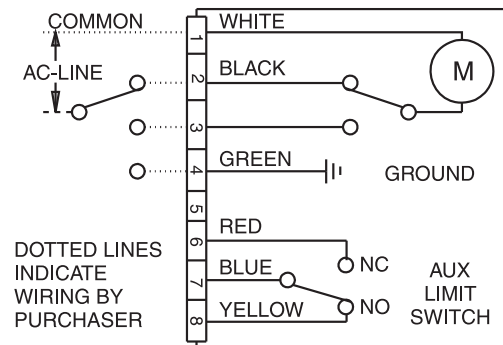
Options

- Voltage Options: 12 VDC, 24 VDC, 12 VAC, 24 VAC, 220 VAC Motors

Dimensions-Inches



Wiring Diagram



Actuator Specifications

Model	EAU
Torque Output (in-lbs)	140
Standard Voltage	115 VAC
Duty Cycle	25%
Thermal Overload	Standard
Cycle Time (secs)*	2.5/5.0
Auxiliary Switch Limit Rating	SPDT 5A Resistive @ 230 VAC
Conduit Entry	1/2" NPT
Enclosure	NEMA 4/4X
Enclosure Material	Polypropylene
Max Current Amps @ 115 VAC	1.8
Weight (lb/kg)	6.2 / 2.7

* EAU29 2.5, EAU28, 5.0

Valve Selection Chart

Size	True Union Ball Valve	Three-Way Ball Valve
1/2" - 2"	EAU29 (90°)	EAU28 (180°)

* Actuator size selections based on clean water at 70°F.